

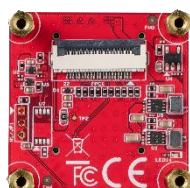


EV2M-OOM3-RHCF

MIPI CSI-2 2MP Fixed Focus Camera Module

HIGHLIGHT FEATURES

- MIPI CSI-2 Interface, 2MP @30fps (Max Resolution)
- Supports HDR, ISP Inside
- Dynamic Range: 120dB
- Lens FOV (D / H / V) : 96° / 88° / 57°
- Platform Support: NVIDIA Jetson Orin, INTEL



SPECIFICATIONS

| | |
|-------------------------------------|--|
| Model Name | EV2M-OOM3-RHCF |
| Module Type | MIPI CSI-2 2MP Fixed Focus Camera Module |
| Resolution (Max.) | 2MP |
| Frame Rate (Max. Resolution) | 30fps |
| Output I/F | MIPI CSI-2 |
| Sensor | Onsemi AR0246 |
| Shutter | Rolling |
| Video Format | YUV422 |
| Power Consumption | Approximate 1 W (YUV422 @Full Resolution) |
| Operation Temperature | -30°C ~ 70°C |
| Sensor Size | 1/4" |
| Pixel Size | 2.0 um |
| Chroma Type | Color |
| Lens Type | Fixed focus (M12) |
| Dimension (W x L x H/mm) | 30 x 30 x 45 |
| Lens D / H / V FOV | 96°/88°/57° |
| OS Support | NVIDIA Jetson Orin; INTEL 12th -13th & Core Ultra (For more information please contact our local sales) |
| Warranty | 3 Years |

CONNECTOR PIN ASSIGNMENT

| Pin # | Pin Name | Description |
|-------|----------|---------------------|
| 1 | GND | Ground |
| 2 | CAM_D0_N | CSI Data 0 |
| 3 | CAM_D0_P | CSI Data 0 |
| 4 | GND | Ground |
| 5 | CAM_D1_N | CSI Data 1 |
| 6 | CAM_D1_P | CSI Data 1 |
| 7 | GND | Ground |
| 8 | CAM_CK_N | CSI Clock |
| 9 | CAM_CK_P | CSI Clock |
| 10 | GND | Ground |
| 11 | CAM_D2_N | CSI Data 2 |
| 12 | CAM_D2_P | CSI Data 2 |
| 13 | GND | Ground |
| 14 | CAM_D3_N | CSI Data 3 |
| 15 | CAM_D3_P | CSI Data 3 |
| 16 | GND | Ground |
| 17 | CAM_PWDN | Camera Power-down |
| 18 | CAM_MCLK | Camera Master Clock |
| 19 | GND | Ground |
| 20 | CAM_SCL | I2C Clock (3.3V) |
| 21 | CAM_SDA | I2C Data (3.3V) |
| 22 | CAM_3V3 | +3.3V |



Pin 1

PLATFORM SUPPORT

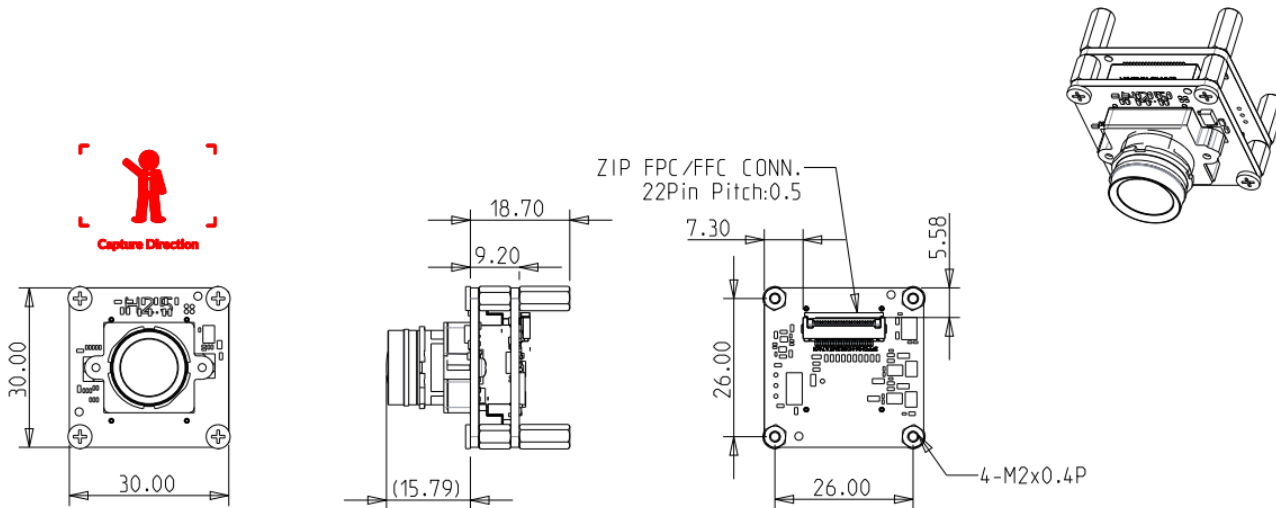
| Platform | Processor |
|---------------|--|
| NVIDIA Jetson | Jetson AGX Orin Jetson Orin NX Jetson Orin Nano |
| INTEL | Alder Lake 12 th Raptor Lake 13 th Core™ Ultra processor |

(For more information please contact our local sales)

ORDER INFO.

| P/N | Description |
|-------------------|---|
| EV2M-OOM3-RHCF-11 | MIPI CSI-2 2MP Fixed Focus Camera Module (MIPI CSI-2 FFC Cable Included) |
| 7W7000000060 | FFC cable 15 cm, 22 pins, pitch 0.5mm |

MECHANICAL DRAWING (TBD)



LENS SPEC.

| Items | Specification |
|----------------|----------------------|
| F No. | 2.0 |
| Focal Length | 2.0mm |
| Lens Structure | 1G5P |
| Mount | M12 x P0.5 (S-mount) |

RESOLUTION MATRIX

| Resolution | YUV422 | MJPEG |
|------------|-----------|-------|
| 1920*1080 | 30/25 fps | N/A |
| 1280*720 | 30/25 fps | N/A |
| 640*480 | 30/25 fps | N/A |

CABLE APPEARANCE



HQ (Taiwan) T +886-2-7703-3000 / E sales@innodisk.com

CN T +86-755-2167-3689 / E sales_cn@innodisk.com

US T +1-510-770-9421 / E usasales@innodisk.com

EU T +31-40-3045-400 / E eusales@innodisk.com

JP T +81-3-6667-0161 / E jpsales@innodisk.com

