

Modular Industrial Computer with 14th–12th Gen Intel® Core™ i7/i5/i3 CPU, up to 4x PCIe/PCI, 3x LAN, 2x COM, 6x USB

Overview

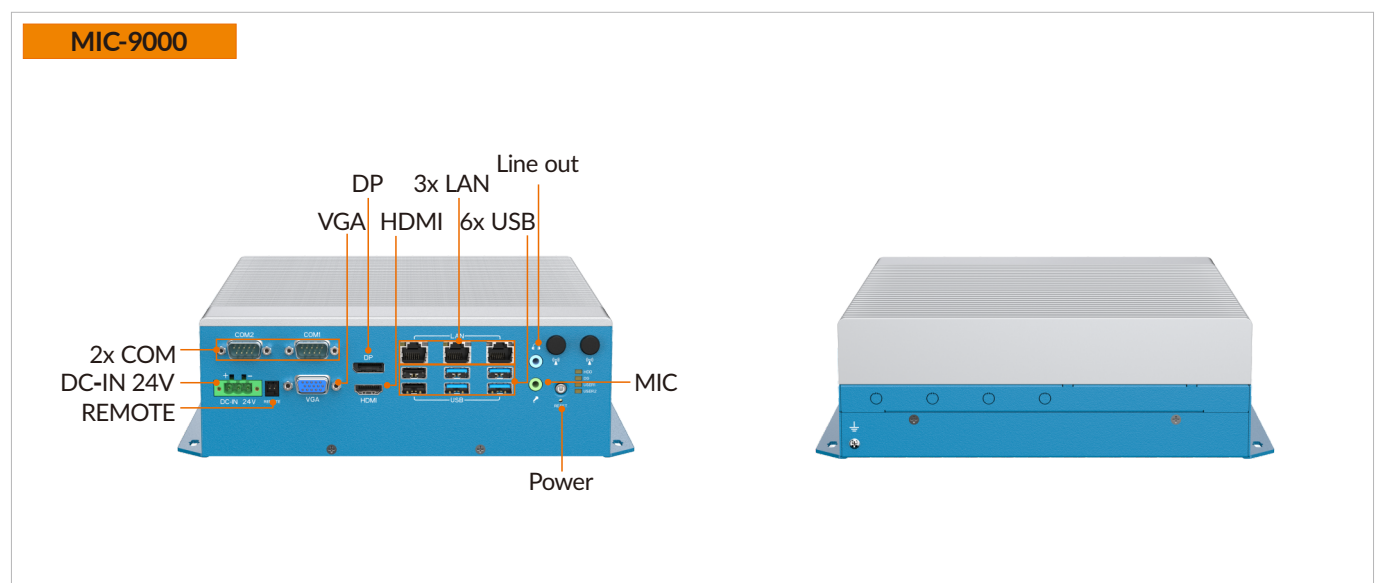
The Darveen MIC-9000 Series is a high-performance modular industrial computer powered by the latest 14th–12th Gen Intel® Core™ i7/i5/i3 processors, delivering exceptional computing performance for advanced industrial workloads. The MIC-9000 Series provides rich connectivity with 3 GbE LAN, 2 COM, 6 USB, VGA, HDMI, and DisplayPort interfaces, along with wireless modules including Wi-Fi, 4G LTE, and 5G. To meet diverse application needs, the series offers multiple configurations: MIC-9000 with no expansion, MIC-9011 with 1 PCI and 1 PCIe x16 slots, and MIC-9022 with 2 PCI, 1 PCIe x16, and 1 PCIe x4 slots. In addition, the MIC-9022G can accommodate a GPU card up to 300W to accelerate AI workloads, making it ideal for Industrial IoT, machine vision, and factory automation applications.

Features

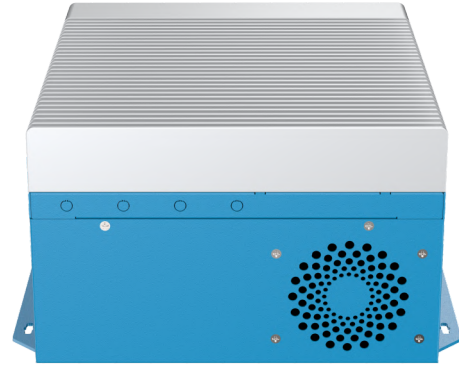
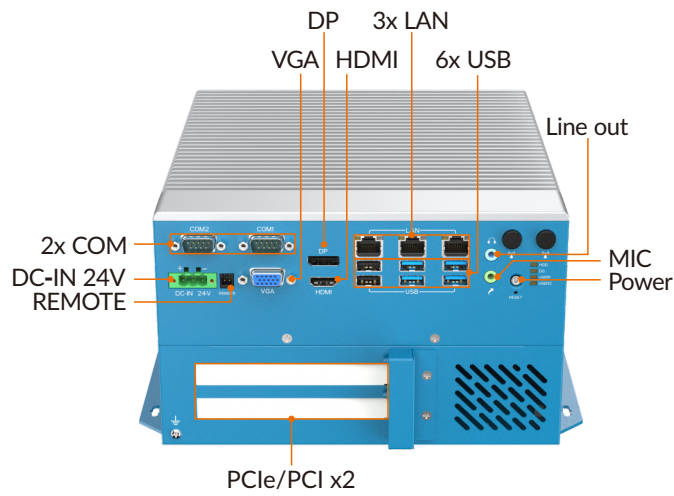
- 14th-12th Gen Intel® Core™ i7/i5/i3 processor
- Up to 4x PCIe/PCI slots
 - 1x PCI, 1x PCIe x16 (MIC-9011)
 - 2x PCI, 1x PCIe x16, 1x PCIe x4 (MIC-9022)
- GPU card support up to 300W (MIC-9022G)
- 2x COM, 3x GbE LAN, 6x USB
- 1x DP, 1x VGA, 1x HDMI
- 2x M.2 M-Key 2280, 1x M.2 E-Key 2230
- 24V DC power input



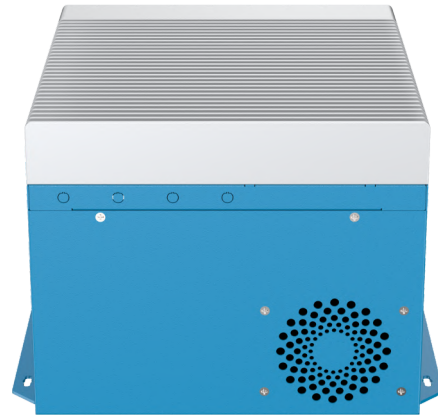
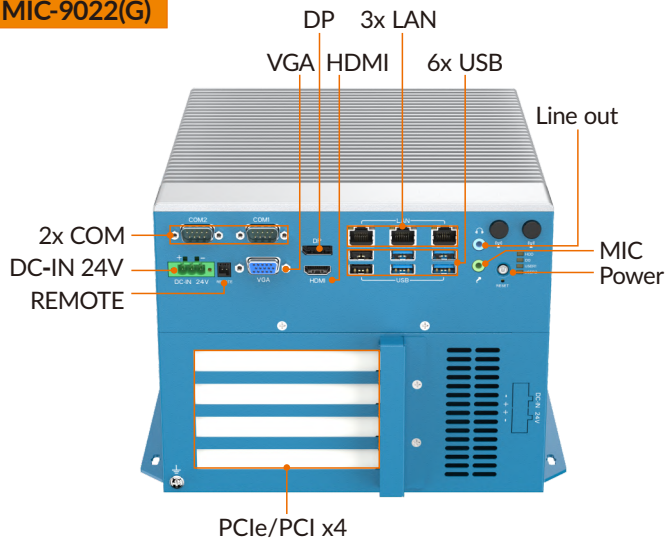
I/O Interfaces



MIC-9011



MIC-9022(G)

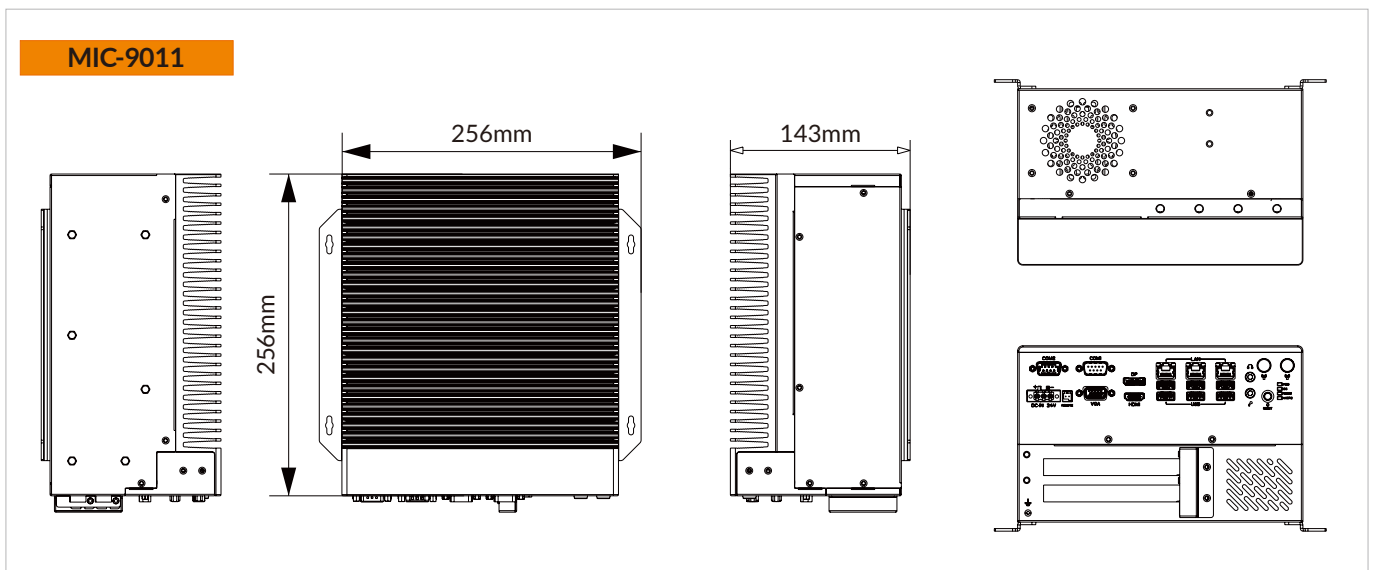
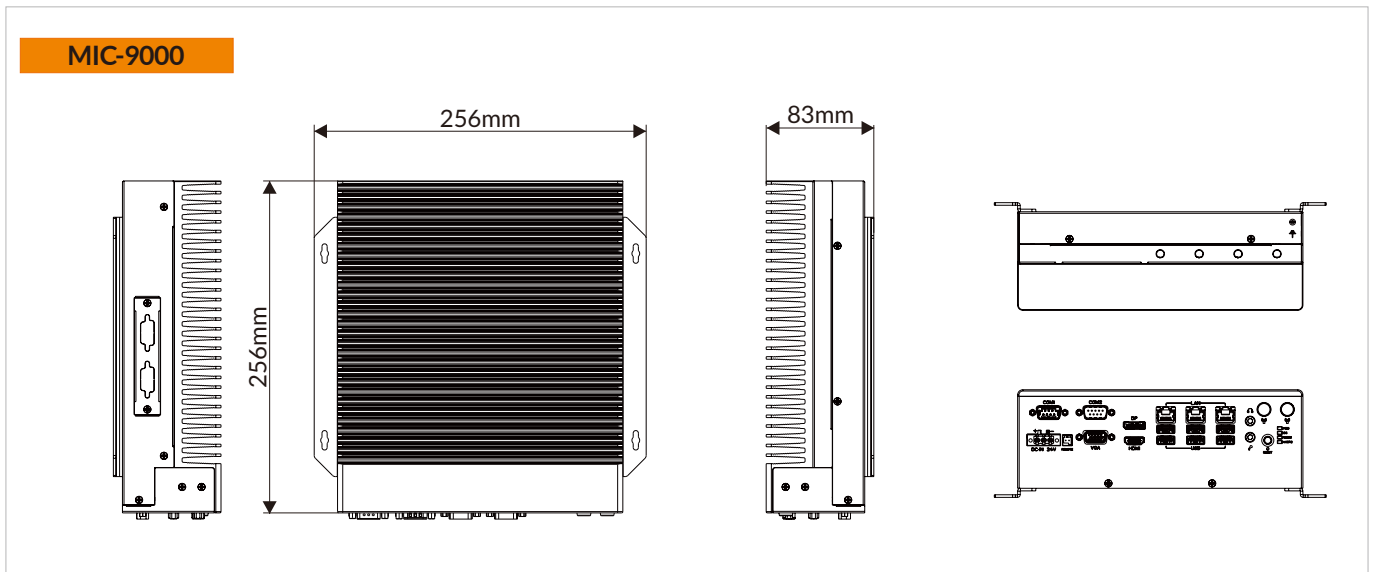


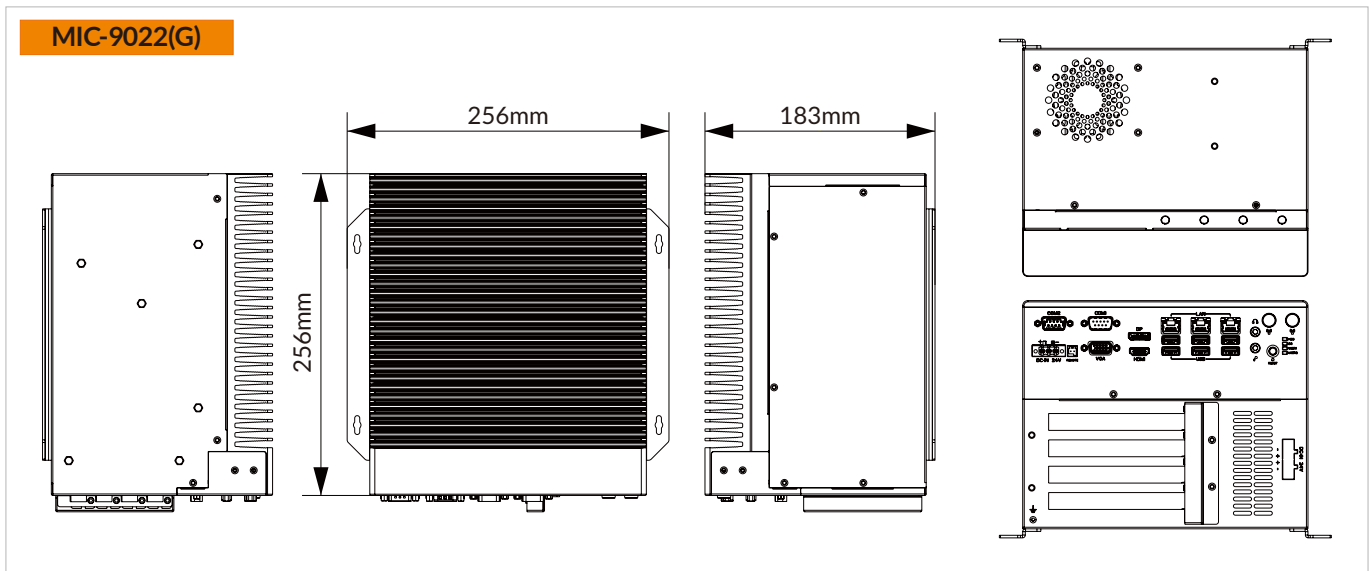
Specifications

System	MIC-9000	MIC-9011	MIC-9022(G)
CPU	14th/13th/12th Gen Intel® Core™ i7/i5/i3		
CPU TDP	65 W		
Chipset	Intel® H610/Q670		
Memory	2x DDR5 SO-DIMM up to 64GB		
Storage	2x M.2 2280 SATA (H610) / 2x M.2 2280 RAID 0/1 (Q670)		
Graphics	Intel® UHD Graphics 770		
BIOS	AMI 128Mbit SPI Flash		
TPM	TPM2.0 (optional)		
Watchdog Timer	Software programmable supports 256 levels system reset		
I/O Ports			
USB	2x USB 2.0, 4x USB3.0 (H610) / 6x USB3.0 (Q670)		
Serial	2x COM (1x RS-232/485, 1x RS-232)		
Ethernet	1x Intel® I219, 2x Intel® I210-AT		
Display	1x DP1.4a (up to 4096 x 2304@60Hz), 1x HDMI (up to 4096 x 2160@60Hz), 1x VGA (up to 1920 x 1200@60Hz). Supports triple independent displays		
SIM Card Slot	1x SIM		
Antenna	6x SMA-type		
CAN bus	2x CAN 2.0B (optional, share with M.2 2230)		
Expansion Slot			
PCI/PCIe	—	1x PCI, 1x PCIe x16	2x PCI, 1x PCIe x16, 1x PCIe x4 (x2 signal) Supports a GPU card up to 300W (MIC-9022G)
M.2	2x M.2 M-Key 2280, 1x M.2 E-Key 2230, 1x M.2 B-Key 3042/3052 (share with M.2 2280)		
RF Communication			
Wi-Fi	1x M.2 2230 E-Key		
Cellular	1x M.2 3042/3052 B-Key		
Bluetooth	1x M.2 2230 E-Key		
GNSS	1x M.2 3042/3052 B-Key		
Audio			
Audio	Mic in, line out		
Power			
Button	Yes		
Remote Power On/Off	2-Pin remote		
DC Input	24 VDC		
Power Adaptor	AC-DC, 24V@7.5A, 180W		AC-DC, 24V@7.5A, 180W (for MIC-9022) 24V 20A480W (for MIC-9022G GPU expansion)
Power Mode	AT/ATX		
Operating System			
Windows	Windows 10/11		
Linux	Ubuntu		
Mechanical			
Dimensions (WxDxH)	220 x 256 x 76 mm (8.66 x 10.08 x 2.99 inches)	220 x 256 x 136 mm (8.66 x 10.08 x 5.36 inches)	220 x 256 x 176 mm (8.66 x 10.08 x 6.93 inches)
Weight (N.W.)	4.3 kg (9.48 lbs)	4.6 kg (10.15 lbs)	5.6 kg (12.35 lbs)
Mounting	Wall-mount		
Material	Aluminum alloy		

Environment	
Operating Temperature	-10°C to 50°C (14°F to 122°F, with SSD Airflow 0.7m/s)
Storage Temperature	-40°C to 80°C (-40°F to 176°F)
Relative Humidity	10% to 95% (non-condensing)
Certification	
EMC	CE, FCC, Class A

Dimensions





Ordering Information

Part No.	Description
MIC-9000-A0	Modular Industrial Computer with 14th-12th Gen Intel® Core™ i7/i5/i3, 3x LAN, 2x COM, 6x USB, 1x DP, 1x VGA, 1x HDMI
MIC-9011-A0	Modular Industrial Computer with 14th-12th Gen Intel® Core™ i7/i5/i3, 3x LAN, 2x COM, 6x USB, 1x DP, 1x VGA, 1x HDMI, 1x PCI, 1x PCIe x16
MIC-9022-A0	Modular Industrial Computer with 14th-12th Gen Intel® Core™ i7/i5/i3, 3x LAN, 2x COM, 6x USB, 1x DP, 1x VGA, 1x HDMI, 2x PCI, 1x PCIe x16, 1x PCIe x4
MIC-9022G-A0	Modular Industrial Computer with 14th-12th Gen Intel® Core™ i7/i5/i3, 3x LAN, 2x COM, 6x USB, 1x DP, 1x VGA, 1x HDMI, 2x PCI, 1x PCIe x16, 1x PCIe x4, 300W Power

Optional Accessories

Part No.	Description
C.02.009.000150	180W Power Adapter, 110-240 VAC Input, 24 VDC/7.5A Output, Phoenix 3P Terminal Block Connector (5.08)
A.02.001.000069	480W Power Adapter, 100-240 VAC Input, 24 VDC/20A Output, Phoenix 3Px2 Terminal Block Connector (5.08)