

## EMUC-F2I3

mPCIe to Dual CAN FD with IMU

### HIGHLIGHT FEATURES

- Baud rate up to 5 / 10 / 20 / 50 / 100 / 125 / 250 / 500 (Default) / 800 / 1000K
- Data rate up to 2 / 4 / 5Mbps (\*Notes)
- CAN2.0 up to 7,800 frame/s (RX baud rate 1M, EID, 8byte data)
- CANFD up to 6,000 frame/s (RX baud rate 1M, data rate 5M, EID, 64byte data)
- Supports CAN message acceptance filter, listen-only mode
- Keeps configuration after hardware reboot
- Additional driver to support Linux SocketCAN
- Termination resistor enabled/disabled by jumper
- Support 3-axis magnetometer and 6-axis IMU with external interrupt pin
- Sensor support USB or I2C interface
- Complaint with ISO 11898-2 : 2016 (CAN FD)
- Complaint with EN61000-4-2 (ESD) Air-15kV, Contact-8kV
- Industrial temperature (-40°C to 85°C) support

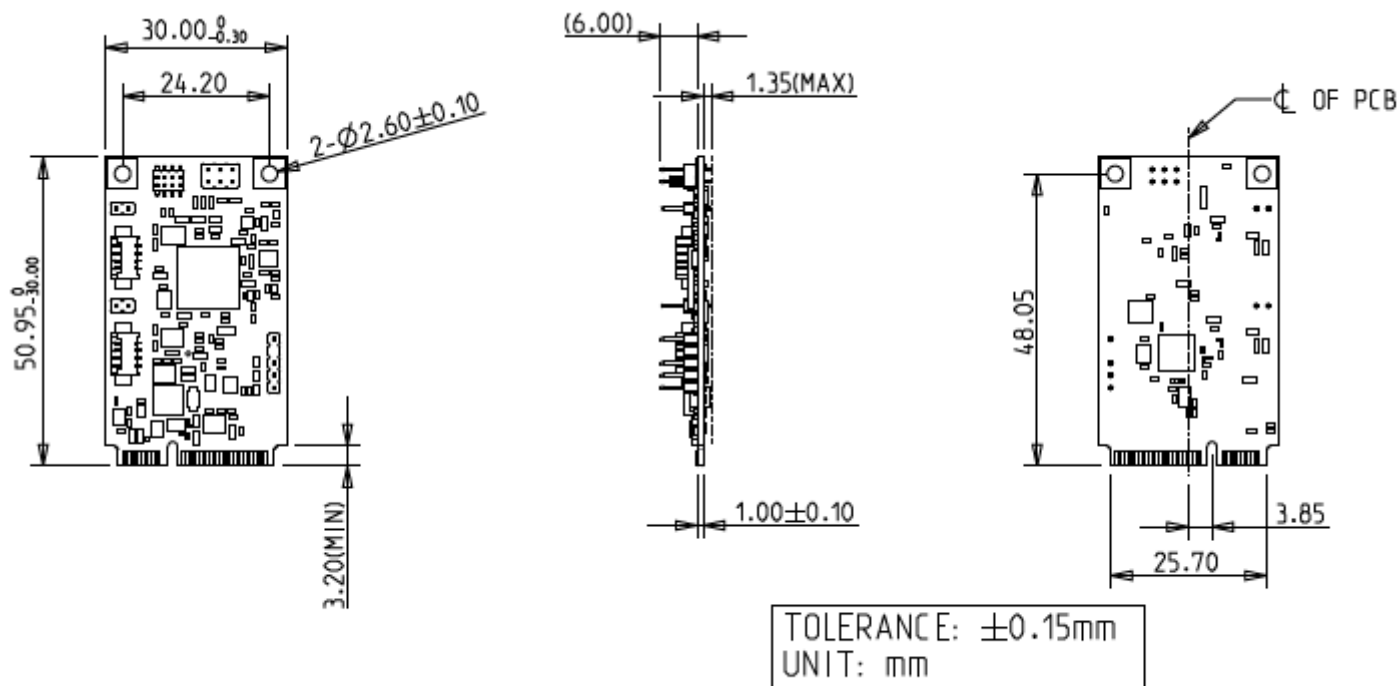
### SPECIFICATIONS

<b>Model Name</b>	EMUC-F2I3
<b>Module Type</b>	mPCIe to Dual CAN FD with IMU
<b>Form Factor</b>	mPCIe
<b>Function</b>	CAN FD + IMU/Magnetic sensor
<b>Input I/F</b>	USB 2.0 High Speed (480Mbps)
<b>Output I/F</b>	CAN FD
<b>Output Port</b>	2
<b>Output Connector</b>	DB-9
<b>Max. Power Consumption</b>	1.573W (5V, 314.6mA ; 3.3V, 476.7mA)
<b>Dimension (W x L x H/mm)</b>	30 x 50.9 x 8.45
<b>Temperature</b>	Operation : W/T -40°C ~ 85°C (Ta) Storage : -55°C ~ 95°C (Ta)
<b>Vibration</b>	5G@[7~2000Hz]
<b>Shock</b>	50G@0.5ms
<b>OS Support</b>	Windows : 10 (32 / 64bit) and above version Linux : Kernel 2.6 and above (Native CDC-ACM driver), Kernel 2.6.38 and above (SocketCAN Driver), 32 / 64bit
<b>Warranty</b>	3 Years
<b>Notes</b>	*Data rate limitation : <ul style="list-style-type: none"> <li>• 2M supports normal rate 100K and above.</li> <li>• 4M / 5M supports normal rate 250K and above.</li> </ul>

## ORDER INFO.

P/N	Description
EMUC-F213-W1	mPCIe to Dual CAN FD with IMU

## MECHANICAL DRAWING



## PIN DEFINE

CAN DB9 Connector Pin Define		CAN Connector Pin Define (CN1/CN2)		IMU Pin Header Pin Define (JP5)	
1	NC	1	NC	1	INTA1 (IMU)
2	CAN-L	2	CAN-H	2	INTB (Mag)
3	GND	3	CAN-L	3	INTA2 (IMU)
4	NC	4	GND	4	GND
5	NC	USB Pin Header Pin Define (JP1)		5	SDA
6	NC	1	5V	6	SCL
7	CAN-H	2	D-		
8	NC	3	D+		
9	NC	4	GND		

HQ (Taiwan) T +886-2-7703-3000 / E sales@innodisk.com

CN T +86-755-2167-3689 / E sales\_cn@innodisk.com

US T +1-510-770-9421 / E usasales@innodisk.com

EU T +31-40-3045-400 / E eusales@innodisk.com

JP T +81-3-6667-0161 / E jp\_sales@innodisk.com

**innodisk**