

DPC-1150

User's Manual



Thank you very much for using Darveen products. In order to make you better understand and smoothly use Darveen products, please Read this manual carefully before use.◦

Disclaimer:

This manual is the copyright of Darveen technology and cannot be copied in any way without permission. The contents of this manual do not represent the commitment of the company. Due to the continuous improvement of products, the company reserves the right to change this manual without notice.

Warranty terms:

Darveen products are provided with a one-year free warranty. If the user requires otherwise, the contract signed by both parties shall prevail. You do not need to pay the maintenance cost of the equipment during the free warranty period. We will not be responsible for any direct, indirect, intentional or unintentional damage and hidden dangers caused by improper installation and use.

Precautions for installation and use

First, before you use, please check whether the actual configuration of the whole machine is consistent with the packing list of Darveen products and whether the data are complete. If you have any objection, please contact the seller. After the inspection, connect the host with other external equipment and power on to check the operation of the product.

Attention:

- 1 please lay the product flat or firmly fix it before power on. Accidental drop may cause equipment damage.
- 2 before power on, please confirm the power supply voltage input identification marked on the fuselage nameplate.
3. Please connect the power supply to the DC-INPUT interface on the back of the machine.
- 4 please do not open the device by yourself. In order to ensure your safety, please turn on the equipment through professionals.
- 5 please do not place the equipment in an environment beyond our recommended temperature range.
- 6 before changing any configuration, please disconnect the power supply to avoid instantaneous surge damage to sensitive electronic components.
7. Please ensure good heat dissipation and ventilation of the system
- 8 it is recommended to use professional ground wire to connect to the grounding port on the back of the machine after installing the equipment

Layout:

Front View:



System I/O :



A B C DE F

A: DP/HDMI

B: DVI

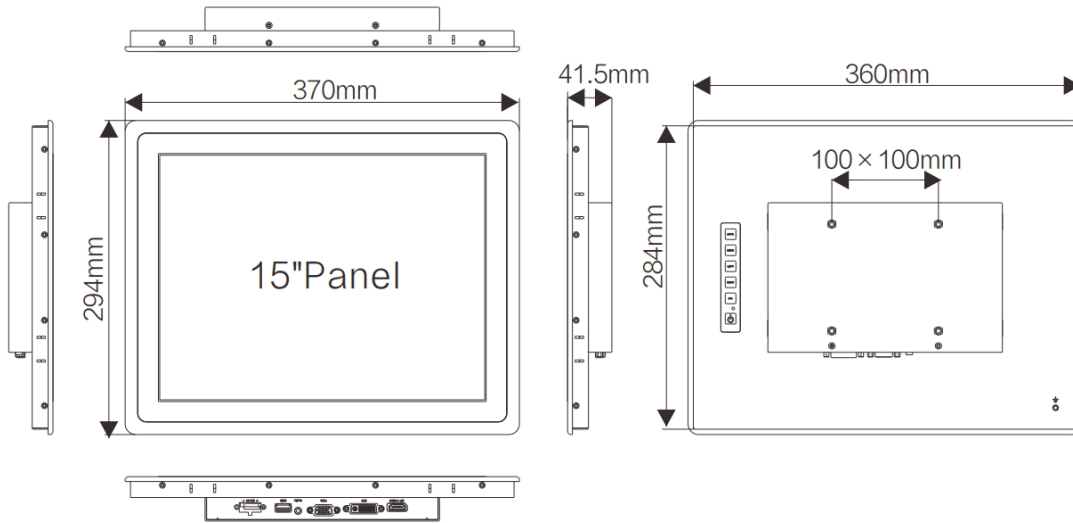
C: VGA

D: Audio

E: USB

F: DC-IN

Product wire frame size



Installation method:

Wall mounted installation:

Darveen products provide standard VESA mounting hole (100 * 100mm) and standard M5 * 8 screws

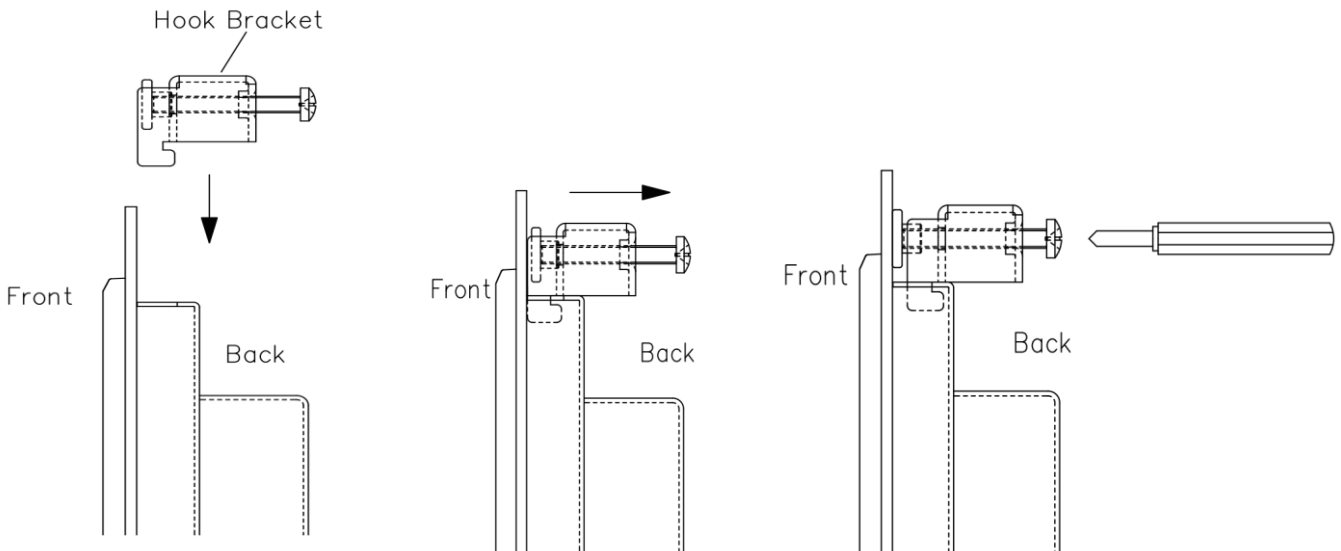
Embedded installation instructions:

If the installation mode of your equipment is embedded installation, please find the embedded installation snap of the accessory and install it according to the following figure.

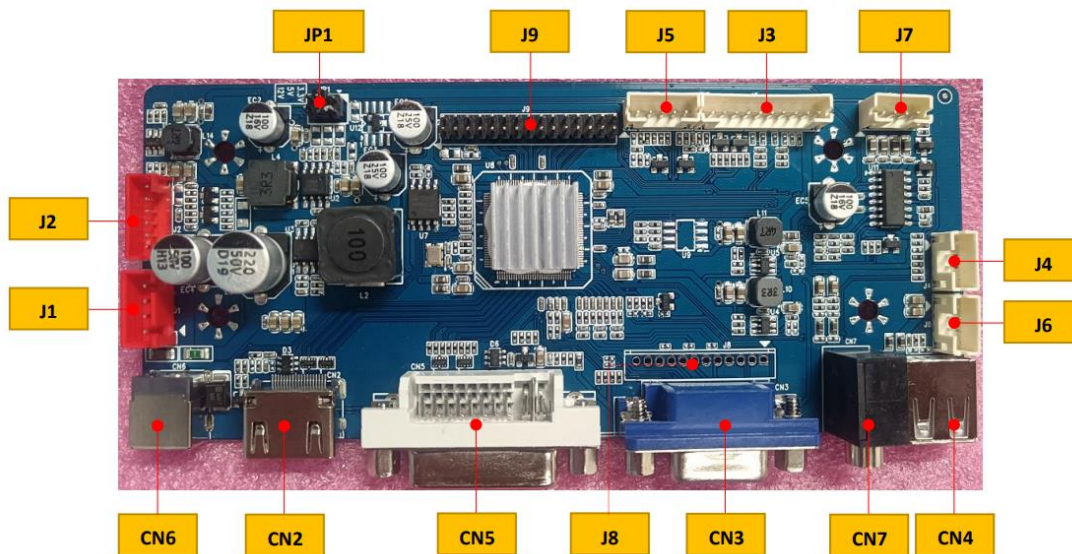
MPC-1150C&R embedded panel opening size is 362 * 286mm 1 install the computer into the cutout and secure it with M4 x 30 screws using the 8 hook brackets in the accessories. Insert the hook bracket into the hole as shown in the figure.

2 adjust the screw as shown in the figure below.

3 tighten the screws to secure the tablet in place.



AD board Function layout

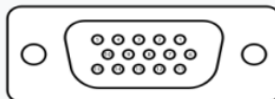


J1	Internal Power Input	XH2.54mm 4P
J2	Backlight Control	PH2.0mm 6P
J3	Keypad	PH2.0mm 9P
J4	UART	PH2.0mm 4P
J5	External Sensor Control	PH2.0mm 5P
J6	Touch	PH2.0mm 4P
J7	Speaker	PH2.0mm 4P
J8	Internal VGA input	PH2.0mm 12P (optional)
J9	LVDS Output	2x15Pin 2.0mm pitch
CN7	Audio Input	3.5mm phone jack
CN6	External Power Input	2.0 DC Jack
CN5	DVI Signal Input	24+5 DVI-I Single-Link
CN4	USB	USB2.0 Type-A
CN3	VGA Signal Input	D-Sub 15P
CN2	HDMI Signal Input	HDMI Type-A 19P
JP1	Panel Voltage Select	2x3Pin 2.0mm pitch

Interface Definition

VGA Signal Input

Location - CN3: 15P Female D-Sub

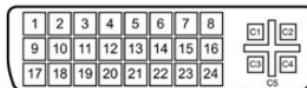


Pin assignment and definition:

Pin No.	Symbol	Description	Pin No.	Symbol	Description
1	VGA_R+	RED video	9	VGA5V	VGA 5V power supply
2	VGA_G+	GREEN video	10	GND	Ground
3	VGA_B+	BLUE video	11	GND	Ground
4	GND	Ground	12	DDC SDA	IIC serial data
5	GND	Ground	13	HSIN	Horizontal sync
6	VGA_R-	RED return	14	VSIN	Vertical sync
7	VGA_G-	GREEN return	15	DDC SCL	IIC serial clock
8	VGA_B-	BLUE return			

DVI Signal Input

Location - CN5: 24+5P

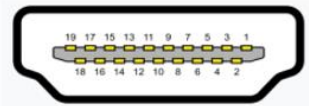


Pin assignment and definition:

Pin No.	Symbol	Description	Pin No.	Symbol	Description
1	Data2-	TMDS data2-	13	NC	
2	Data2+	TMDS data2+	14	+5V	+5V power supply
3	GND	Ground	15	GND	Ground
4	NC		16	HPD	Hot plug detection
5	NC		17	Data0-	TMDS data0-
6	DDC-SCL	IIC serial clock	18	Data0+	TMDS data0+
7	DDC-SDA	IIC serial data	19	GND	Ground
8	NC		20	NC	
9	Data1-	TMDS data1-	21	NC	
10	Data1+	TMDS data1+	22	GND	Ground
11	GND	Ground	23	Clock+	TMDS clock+
12	NC		24	Clock-	TMDS clock-
C1	NC		C4	NC	
C2	NC		C5	NC	
C3	NC				

HDMI Signal Input

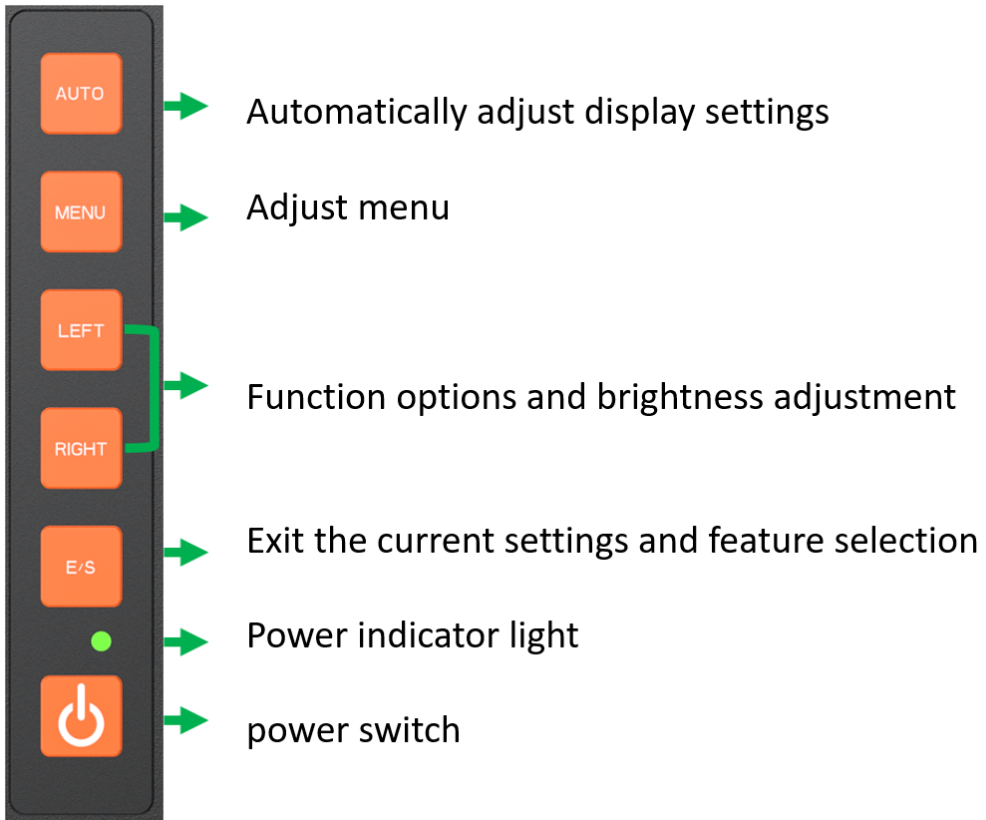
Location - CN2: 19P Type-A

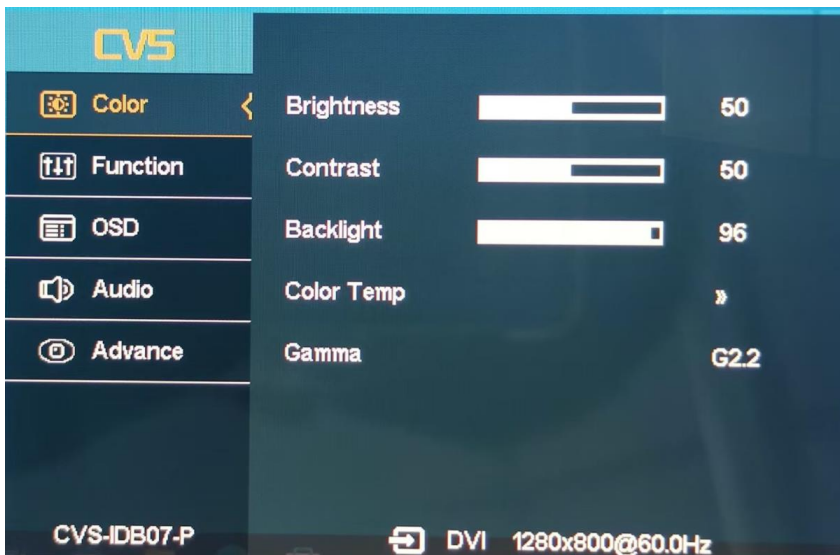


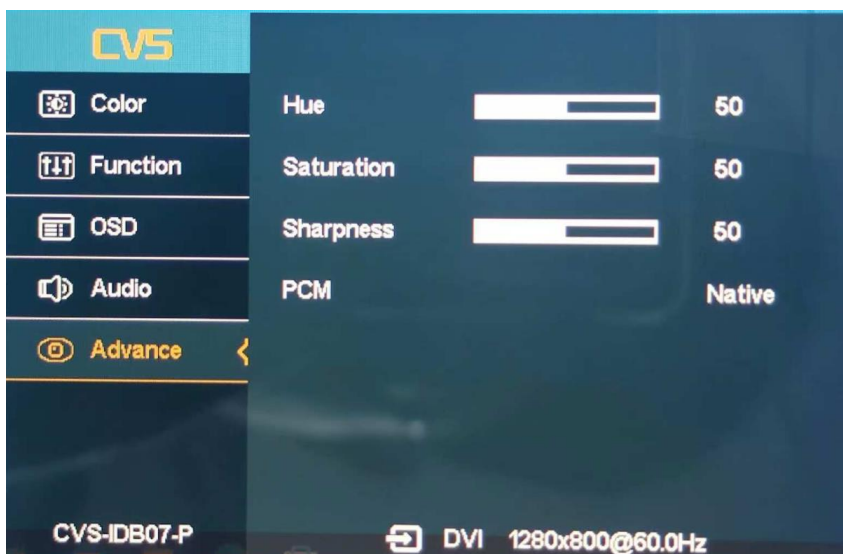
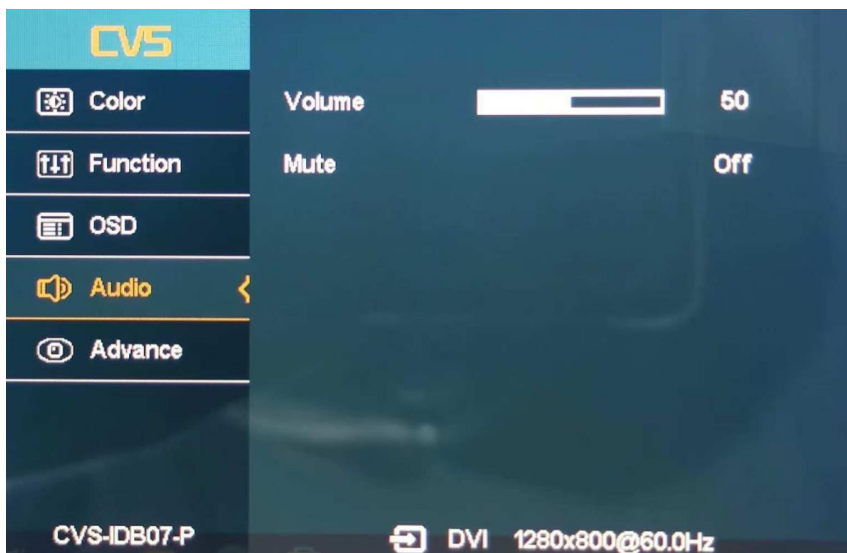
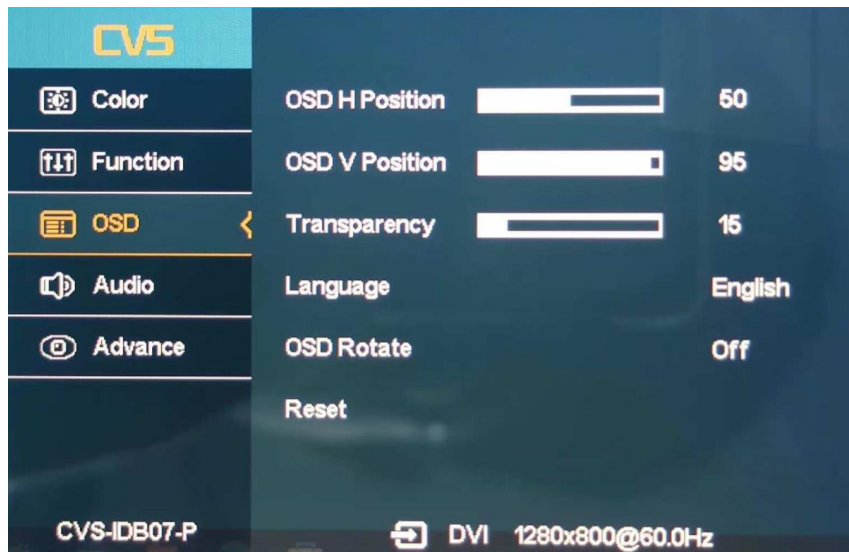
Pin assignment and definition:

Pin No.	Symbol	Description	Pin No.	Symbol	Description
1	Data2+	TMDS data2+	11	GND	Ground
2	GND	Ground	12	Clock-	TMDS clock-
3	Data2-	TMDS data2-	13	CEC	CEC
4	Data1+	TMDS data1+	14	NC	NC
5	GND	Ground	15	DDC SCL	IIC serial clock
6	Data1-	TMDS data1-	16	DDC SDA	IIC serial data
7	Data0+	TMDS data0+	17	GND	Ground
8	GND	Ground	18	+5V	+5V power supply
9	Data0-	TMDS data0-	19	HPD	Hot plug detection
10	Clock+	TMDS clock+			

Function button definition









Darveen Co., Ltd.
Email: sales@darveen.com
www.darveen.com
Darveen Co., Ltd. All Rights Reserved