

# ELPS-3201 PCIe to dual M.2 Module

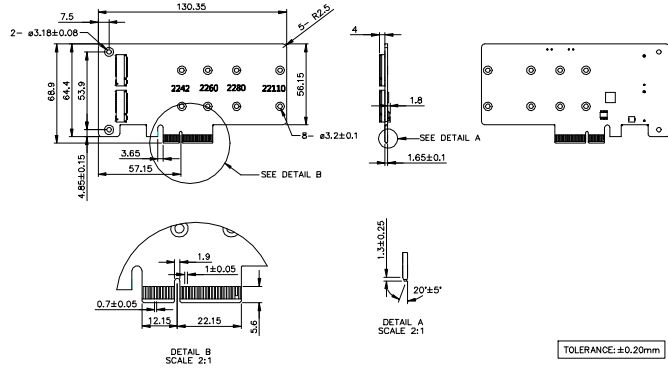


## Features

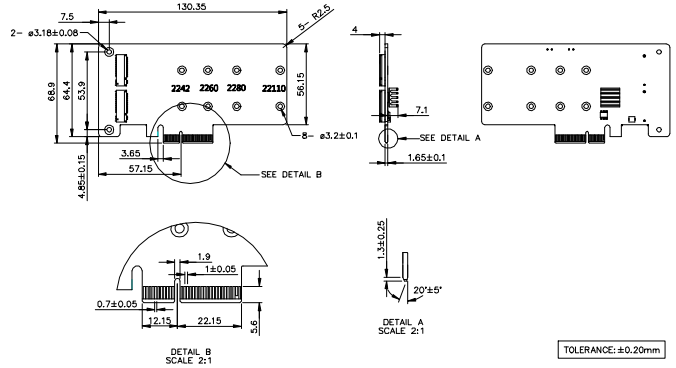
- PCIe x 2 to dual M.2 ports.
- Supports M.2 Key-B 2242/2260/2280/22110
- Supports AHCI, Port-Multiplier.
- Supports Native Command Queuing
- Supports wide temp
- 30μ golden finger, 3 years warranty
- Industrial design, manufactured in Innodisk Taiwan

## Mechanical Drawing

### Standard Temp



### Wide Temp



## Specifications

### Headquarters (Taiwan)

5F., No. 237, Sec. 1, Datong Rd.,  
Xizhi Dist., New Taipei City 221,  
Taiwan  
Tel: +886-2-77033000  
Email: sales@innodisk.com

### Branch Offices:

#### USA

[usasales@innodisk.com](mailto:usasales@innodisk.com)  
+1-510-770-9421

#### Europe

[euasales@innodisk.com](mailto:euasales@innodisk.com)  
+31-40-3045-400

#### Japan

[jpsales@innodisk.com](mailto:jpsales@innodisk.com)  
+81-3-6667-0161

#### China

[sales\\_cn@innodisk.com](mailto:sales_cn@innodisk.com)  
+86-755-21673689

[www.innodisk.com](http://www.innodisk.com)

© 2017 Innodisk Corporation.  
All right reserved. Specifications  
are subject to change without  
prior notice.

May 24, 2017

Form-Factor	Low profile PCIe
Input I/F	PCI Express 2.0 x 2
Output I/F	SATA III
Output Connector	M.2 Key-B x 2
TDP	2.1W (3.3V x 630mA)
Dimension (WxLxH)	Standard Temp: 130.35 x 68.9 x 7.45 mm, Weight: 45g Wide Temp: 130.35 x 68.9 x 12.75 mm, Weight: 45g
Temperature	Operation: STD: 0°C ~ +70°C WT: -40°C ~ +85°C Storage: -55°C ~ +95°C
Environment	Vibration: 5G @7~2000Hz, Shock: 50G @ 0.5ms
Notes	

## Order information

### ELPS-3201-C1

PCIe to dual M.2 Module

### ELPS-3201-W1

PCIe to dual M.2 Module W/T