

SMARTCASE™ S730

Chassis Kit Solution



Mini-ITX Motherboard
D3713-V/R, D3723-R, K3931-N

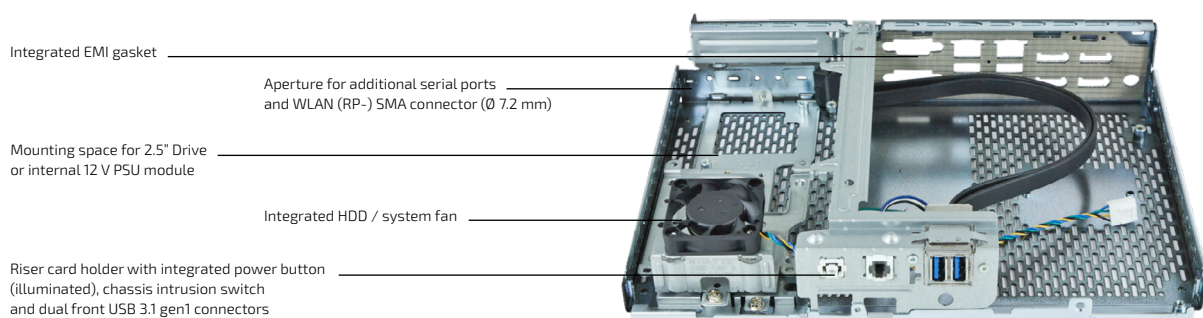
FOR

Industrial chassis for enhanced operating temperature range

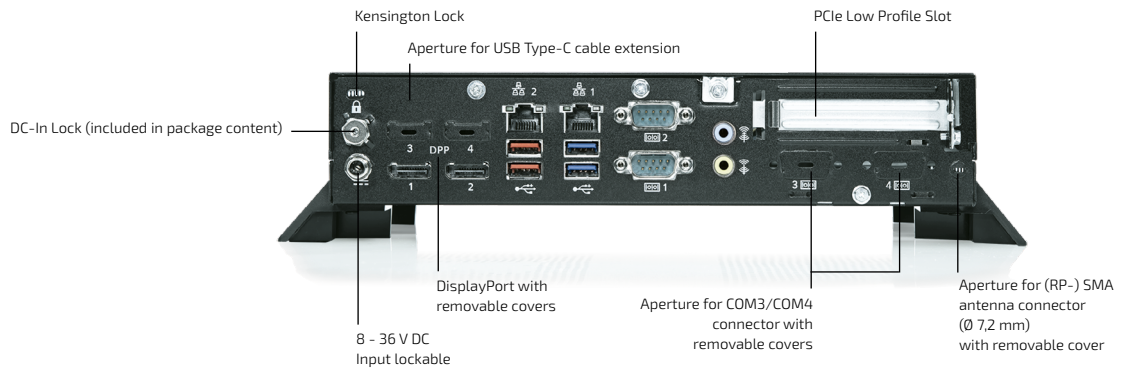
- Compact Design (250 x 52 x 191 mm)
- Dual Front USB 3.2 Gen1 Connectors
- Low Profile Extension Slot
- Option for Internal 65W PSU Module
- Horizontal and Vertical Stand plus Wall Mount Bracket

CHASSIS DATA	DIMENSIONS COLOUR WEIGHT	250 x 52 x 191 mm (W x H x D) black ~ 1 kg
SUPPORTED MOTHERBOARDS		D3713-R D3713-V D3723-R K3931-N
ENVIRONMENTAL CONDITIONS	OPERATING TEMPERATURE	Passive heatsink (fanless): -10 °C ... +35 °C (max. 15 W TDP, vertical/horizontal position *) -10 °C ... +40 °C (max. 12 W TDP, vertical position only) *) Active heatsink (with Fan): -10 °C ... +45 °C (max. 35 W TDP, vertical/horizontal position *) *)
	HUMIDITY	5 % - 85 % relative humidity (non-condensing)
CHASSIS FAN SPECIFICATION	MTBF OPERATING TEMPERATURE	70.000 hours @ 40 °C -10 °C - 70 °C PWM (4 pin), 40 x 40 x 10 mm 1750 - 5.500 rpm (nominal)/ 900 - 5.000 rpm (nominal, from chassis revision 03) Two ball bearing
REQUIREMENTS FOR AC ADAPTER	DC OUTPUT DC OUTPUT PLUG	8 V-36 V (5 A max./65 W max.) Ø 2.5 mm/5.5 mm Important Note: Compliance with IEC 62368-1 according clause 6.2.2. to power source category PS2 ("Limited Power Source") required!
APPROVALS & CERTIFICATIONS	EMC	CE Class B, Industrial Immunity (EN 61000-6-2)
PACKAGE CONTENT		Chassis bottom/top incl. front bezel; I/O with integrated EMI gasket Dual front USB 3.2 Gen1 connector HDD carrier incl. 4 pin PWM fan Riser card holder incl. power button/power LED and intrusion switch HDD SATA cable and power cable for one drive Wall mount metal brackets Motherboard mounting Screws Chassis desk stand (horizontal/vertical, removable)
CHASSIS FEATURES	THEFT PROTECTION MOUNTING OPTIONS	Kensington lock support Mechanical lock for DC-In connector Intrusion Support WLAN antenna via (RP-) SMA connector PCIe riser (PCIe x4, low profile) Two rear COM ports (COM3, COM4) 2.5" Drive (HDD/SSD) Rear USB 3.2 Gen2 Type-C extension (K3931-N only)

*) Chassis ambient temperatur



Chassis prepared for optional features



Ordering Information

ARTICLE	PART NO.	DESCRIPTION
CHASSIS KIT SOLUTION	F5000-J012*	10 pcs

Accessories

FANLESS HEATSINK KIT	S26361-F5000-C019	Passive Heatsink, max. 15 W TDP (backplate included)
SLIM ACTIVE HEATSINK KIT	S26361-F5000-C021	Active Heatsink, max. 35 W TDP (backplate included)
RISERCARD	S26361-F5000-R006	D3318-A
INTERNAL PSU MODULE	S26361-F5000-P004	12 V Internal PSU
EXTERNAL AC ADAPTER 65W@19V	S26361-F5000-P006	AC Adapter, 19 V/3.42 A, 65 W
SERIAL PORT CABLE	S26361-F5000-K010	Length = 400 mm, fullsize slot bracket
MINI PCIe TO M.2 ADAPTER	S26361-F5000-M003	Adapter for Mini PCIe to M.2 Wi-Fi modules
TPM MODULE	S26361-F5000-R012	Infineon SLB9670, TPM V2.0 (TCG compliant)
REAR USB TYPE-C EXTENSION	F5000-K013	USB 3.2 Gen2 adapter cable for internal USB Key-A socket (for K3931-N only)

* SMARTCASE S730 (F5000-J012) replaces SMARTCASE S711 (F5000-I008), and provides additional support for K3931-N (AlderLake-N series)

Global Headquarters

Kontron Europe GmbH

Gutenbergstraße 2
 85737 Ismaning, Germany
 Tel.: + 49 821 4086-0
 info@kontron.com

www.kontron.com

