



F661

2U Active Air Cooler

PRODUCT SPECIFICATIONS



DYNATRON CORPORATION

NEW PRODUCT SPEC SHEET

Part Number: F661

- For AMD Opteron HE, CPU model number 2344HE, 2346HE, 2347HE, 8346HE, 8347HE, Socket F (1207), 3.5" Mounting Pitch
- Active Cooler For 2U Server and up

Overall Specification:

- Dimension: 100.0mm x 71.0mm x 65.5mm
- Weight: 275g \pm 5g
- Material: Aluminum Heat Sink with Stacked Fin
- Side-Blow Cooling Fan
- Back Plate is not included

Fan Specification:

- 6025 Plastic Fan with PWM function
- Dimension: 60.0mm x 60.0mm x 25.0mm
- Bearing: 2X Ball
- Rated Voltage: 12V
- Rated Speed:
 - At Duty Cycle 0%: 1100 \pm 200RPM
 - At Duty Cycle 20%: 1100 \pm 200RPM
 - At Duty Cycle 50%: 2500RPM \pm 10%
 - At Duty Cycle 100%: 6000RPM \pm 5%
- Input Power:
 - At Duty Cycle 0%: 0.60W
 - At Duty Cycle 20%: 0.60W
 - At Duty Cycle 50%: 1.44W
 - At Duty Cycle 100%: 3.60W

- Maximum Airflow:
 - At Duty Cycle 0%: 6.0 CFM
 - At Duty Cycle 20%: 6.0 CFM
 - At Duty Cycle 50%: 15.3 CFM
 - At Duty Cycle 100%: 32.81 CFM
- Acoustical Noise:
 - At Duty Cycle 0%: 16.0 dBA
 - At Duty Cycle 25%: 16.0 dBA
 - At Duty Cycle 50%: 28.1 dBA
 - At Duty Cycle 100%: 44.7 dBA
- Lead Wire Pin Out:
 - Pin#1-Black(-)
 - Pin#2- Yellow(+)
 - Pin#3- Green(Tachometer/ Signal Output)
 - Pin#4- Blue (PWM)

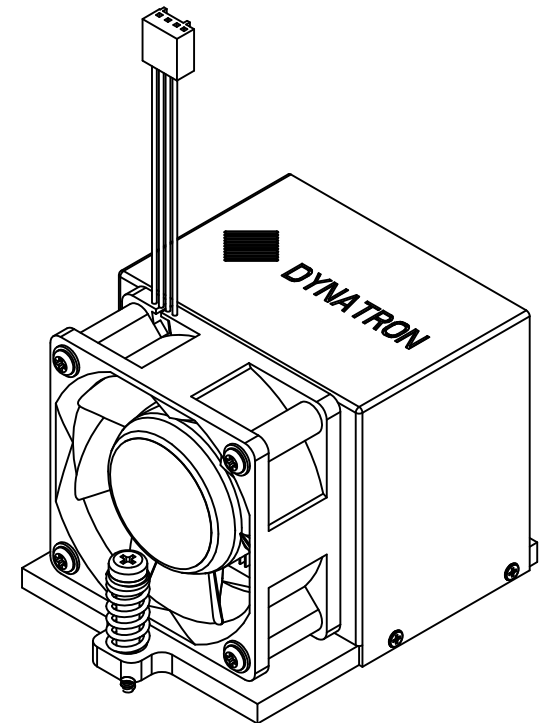
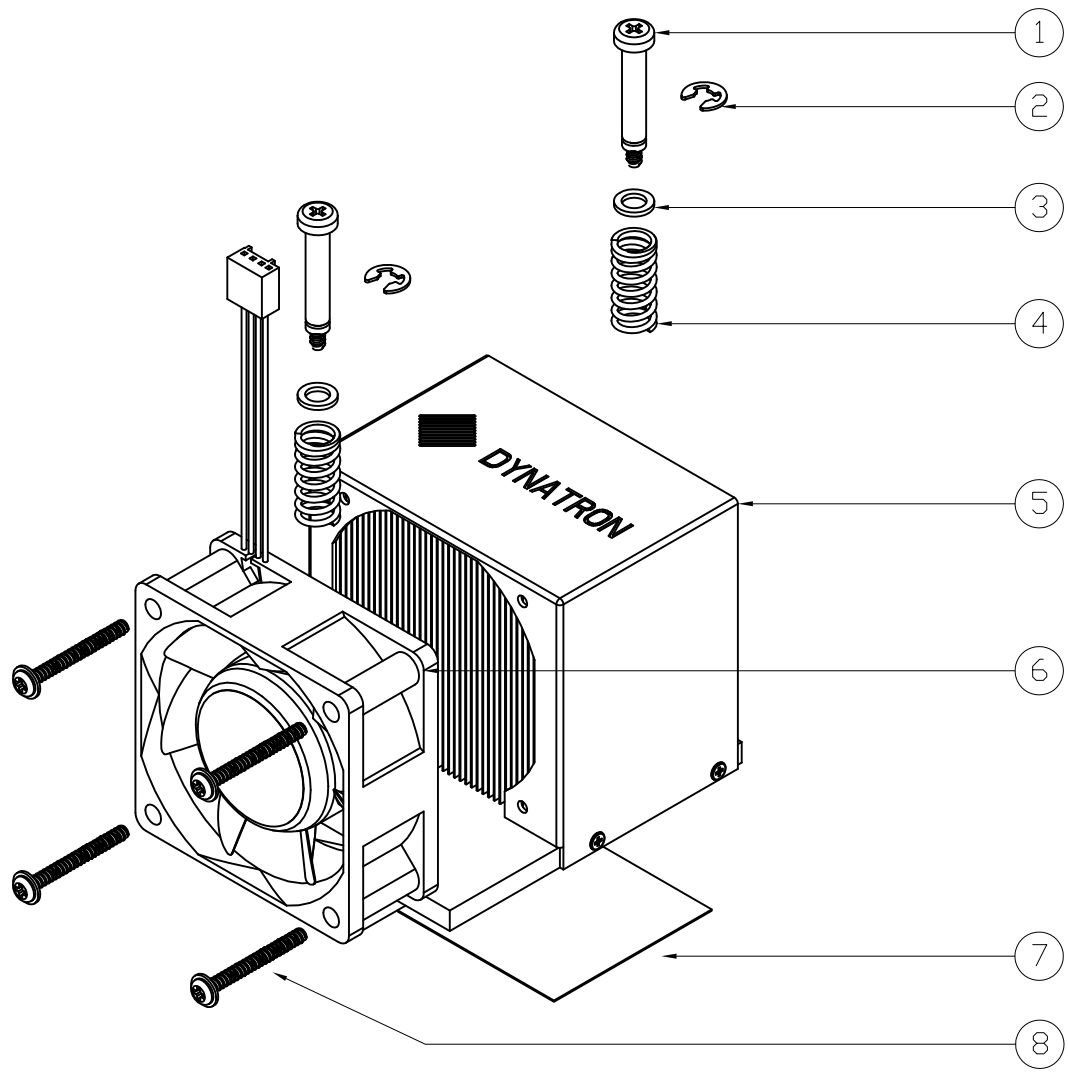
ITEM#	DESCRIPTION	CHECKER	DATE
01	INITIAL RELEASE	LANG	05/19/08

ASSEMBLY PARTS

WHOLE SET OF COOLER

A
B
C
D
E

A
B
C
D
E



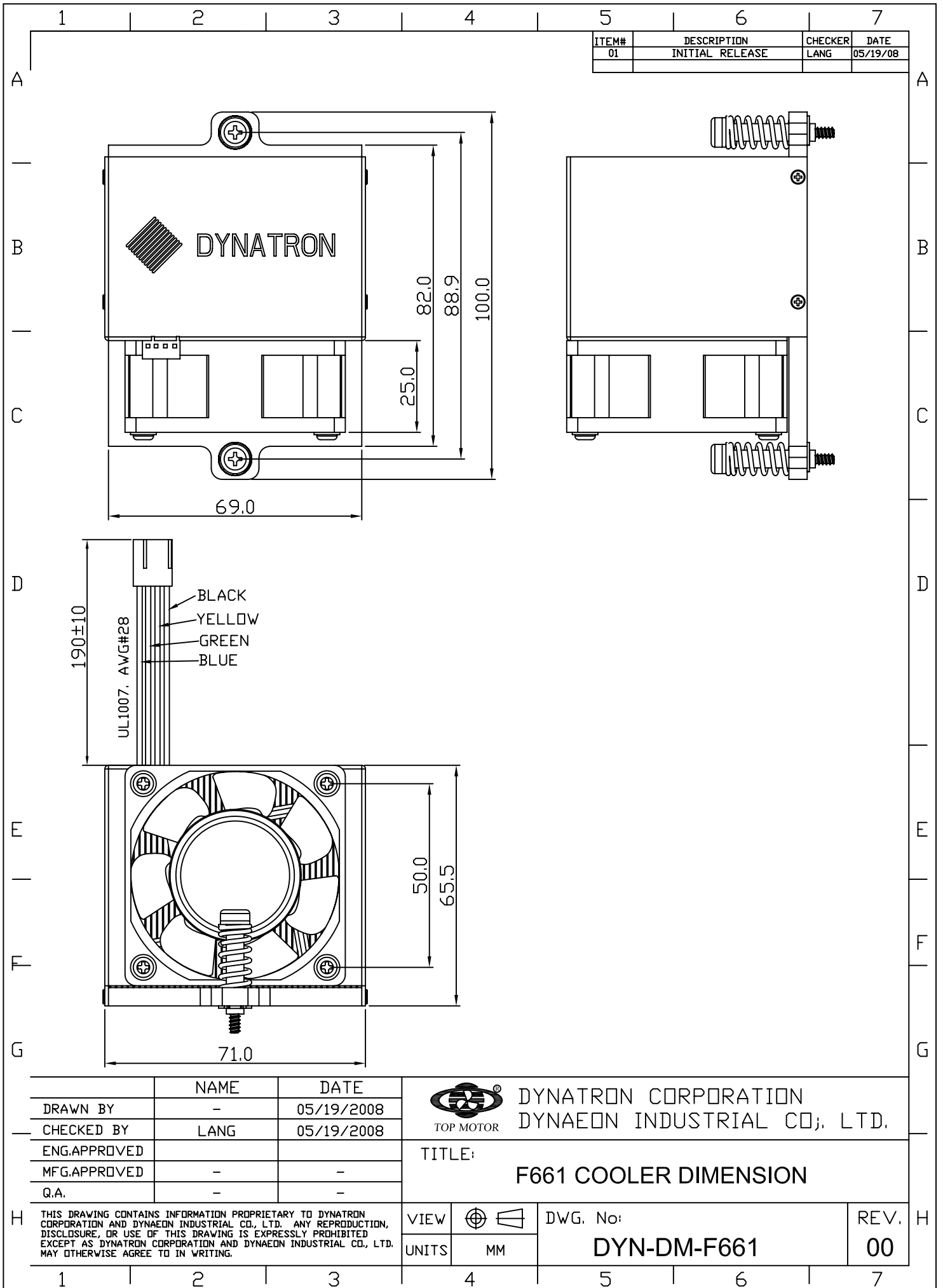
NOTE:

- 1. THE FIGURE IS FOR REFERENCE ONLY, AND NOT FOR SCALE
- 2. OVERALL DIMENSION: 100.0mm x 71.0mm x 65.5mm
- 3. HEATSINK DIMENSION: 100.0mm x 69.0mm x 64.0mm
- 4. OVERALL WEIGHT: 275g

ITEM NO.	DESCRIPTION	MATERIAL	QTY.
8	SCREW FAN	STEEL	4
7	THERMAL GREASE PRE-PRINTED	TIG830SP, 35X35mm	1
6	FAN, DF126025BL-PWM	PLASTIC	1
5	HEATSINK	ALUMINUM	1
4	SPRING	SUS 304	2
3	WASHER	STEEL	2
2	C-RING	STEEL	2
1	SCREW, HEATSINK	STEEL,#6-32 THREAD	2

DATE	05/19/08	NAME	LANG	TOP MOTOR	DYNATRON CORPORATION
DRAWN		CHECKED		TITLE:	F661 EXPLODED ASSEMBLY DRAWING
ENG. APPR.		MFG. APPR.		DWG. No:	DYN-EP-F661
QA		COMMENTS:		REV	00

1 2 3 4 5 6 7 8



ITEM#	DESCRIPTION	CHECKER	DATE
01	INITIAL RELEASE	LANG	05/19/08

	NAME	DATE
DRAWN BY	-	05/19/2008
CHECKED BY	LANG	05/19/2008
ENG. APPROVED		
MFG. APPROVED	-	-
Q.A.	-	-



DYNATRON CORPORATION
DYNAEON INDUSTRIAL CO., LTD.

TITLE: **F661 COOLER DIMENSION**

THIS DRAWING CONTAINS INFORMATION PROPRIETARY TO DYNATRON CORPORATION AND DYNAEON INDUSTRIAL CO., LTD. ANY REPRODUCTION, DISCLOSURE, OR USE OF THIS DRAWING IS EXPRESSLY PROHIBITED EXCEPT AS DYNATRON CORPORATION AND DYNAEON INDUSTRIAL CO., LTD. MAY OTHERWISE AGREE TO IN WRITING.

VIEW	
UNITS	MM

DWG. No: **DYN-DM-F661**

REV. **00**